

4

3

2

1

D

D

C

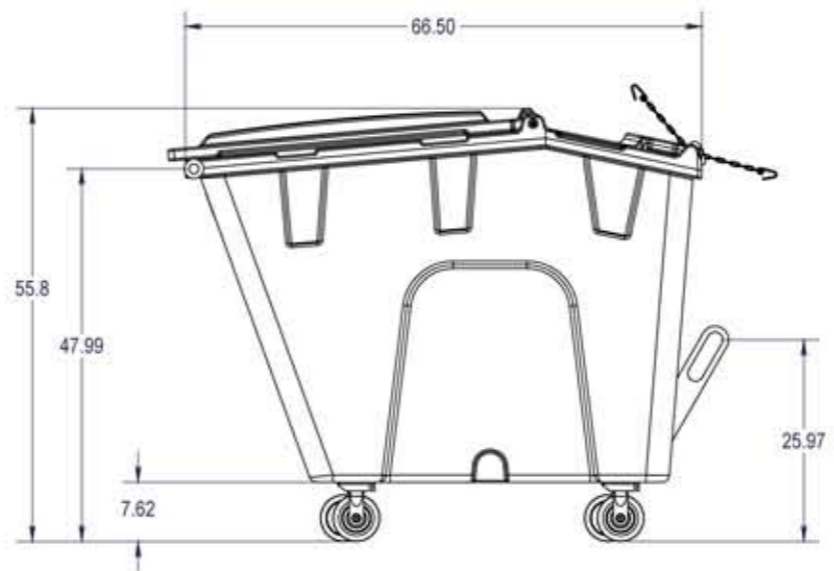
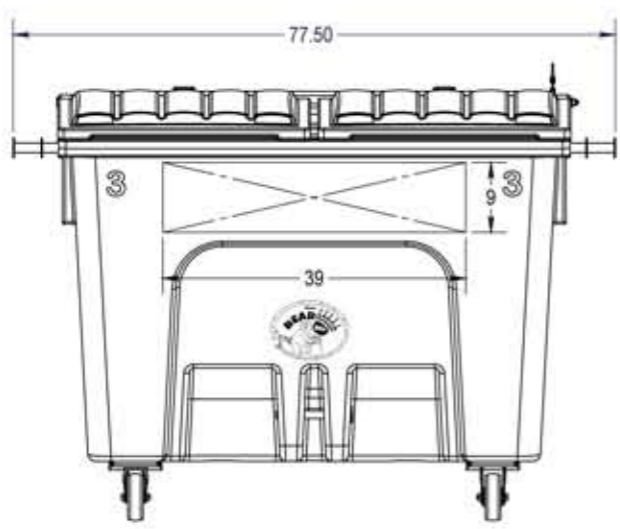
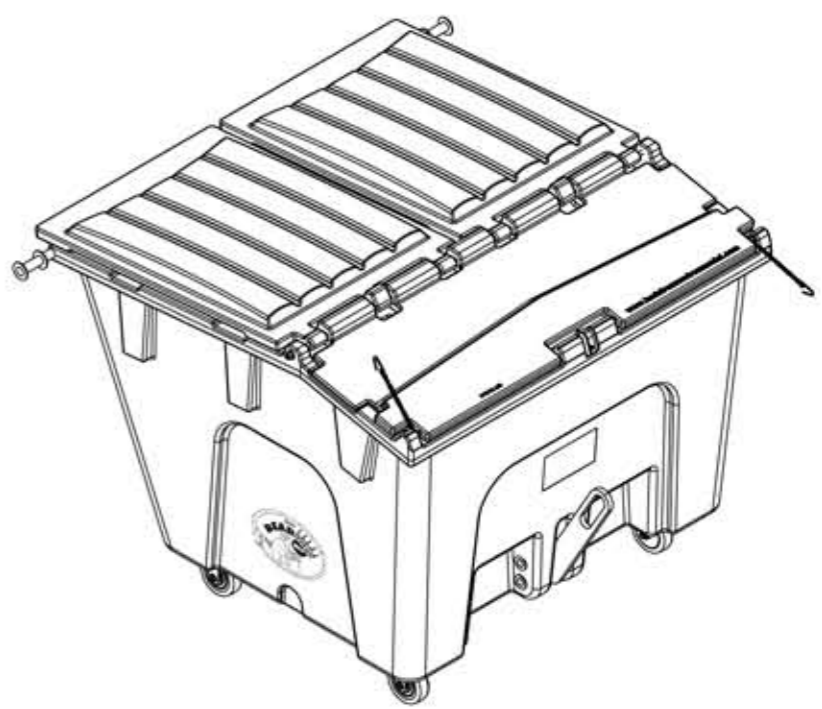
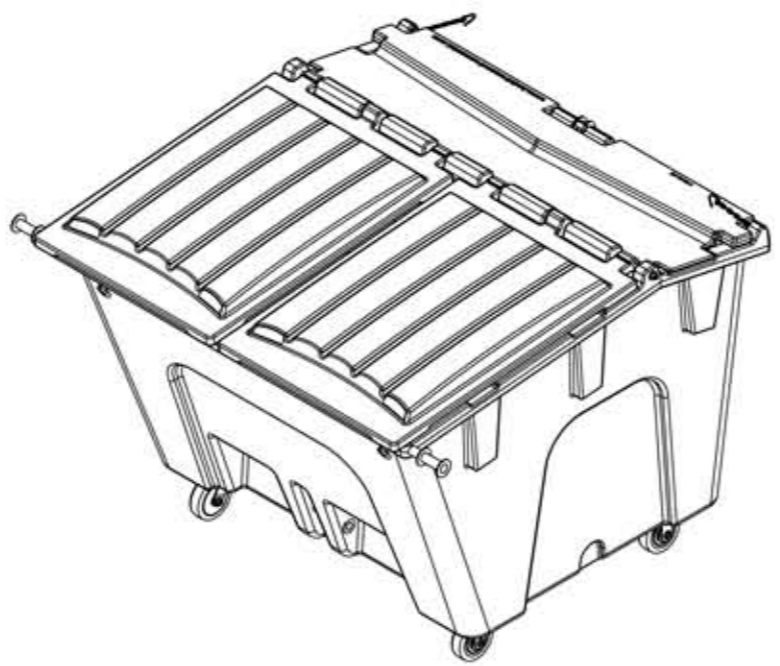
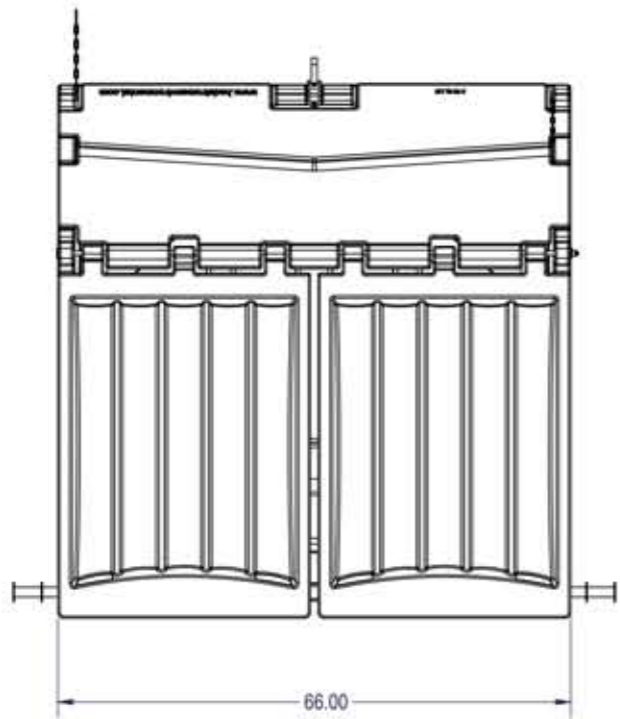
C

B

B

A

A



**SPECS:**  
**APPROXIMATE VOLUME 2.9 CUBIC YARDS**  
**APPROXIMATE WEIGHT 260 LBS. (WITH CASTERS AND LIDS)**  
**LOAD CAPACITY 2000 LBS.**  
**TRUCK QTY. 45**

PROPRIETARY AND CONFIDENTIAL  
 THE INFORMATION CONTAINED IN THIS  
 DRAWING IS THE SOLE PROPERTY OF  
 BEARICUDA INC.

|                                      |         |          |      |
|--------------------------------------|---------|----------|------|
| UNLESS OTHERWISE SPECIFIED:          |         | NAME     | DATE |
| DIMENSIONS ARE IN INCHES             |         | DRAWN    |      |
| TOLERANCES:                          |         | CHECKED  |      |
| FRACTIONAL: ±                        |         | ENG APPR |      |
| ANGULAR: MA CHG ±                    |         | AWG APPR |      |
| TWO PLACE DECIMAL ±                  |         | G.A.     |      |
| THREE PLACE DECIMAL ±                |         | COMMENTS |      |
| INTERPRET GEOMETRIC TOLERANCING PER: |         |          |      |
| MATERIAL:                            |         |          |      |
| FINISH:                              |         |          |      |
| NEXT ASSY                            | USED ON |          |      |
| APPLICATION                          |         |          |      |
| DO NOT SCALE DRAWING                 |         |          |      |

|                                    |              |
|------------------------------------|--------------|
| <b>BEARICUDA INC.</b>              |              |
| TITLE:<br><b>CART127</b>           |              |
| SIZE DWG. NO.                      | REV          |
| <b>C</b> 3 YD RL-02A sales drawing |              |
| SCALE: 1:32 WEIGHT:                | SHEET 1 OF 1 |

4

3

2

1